
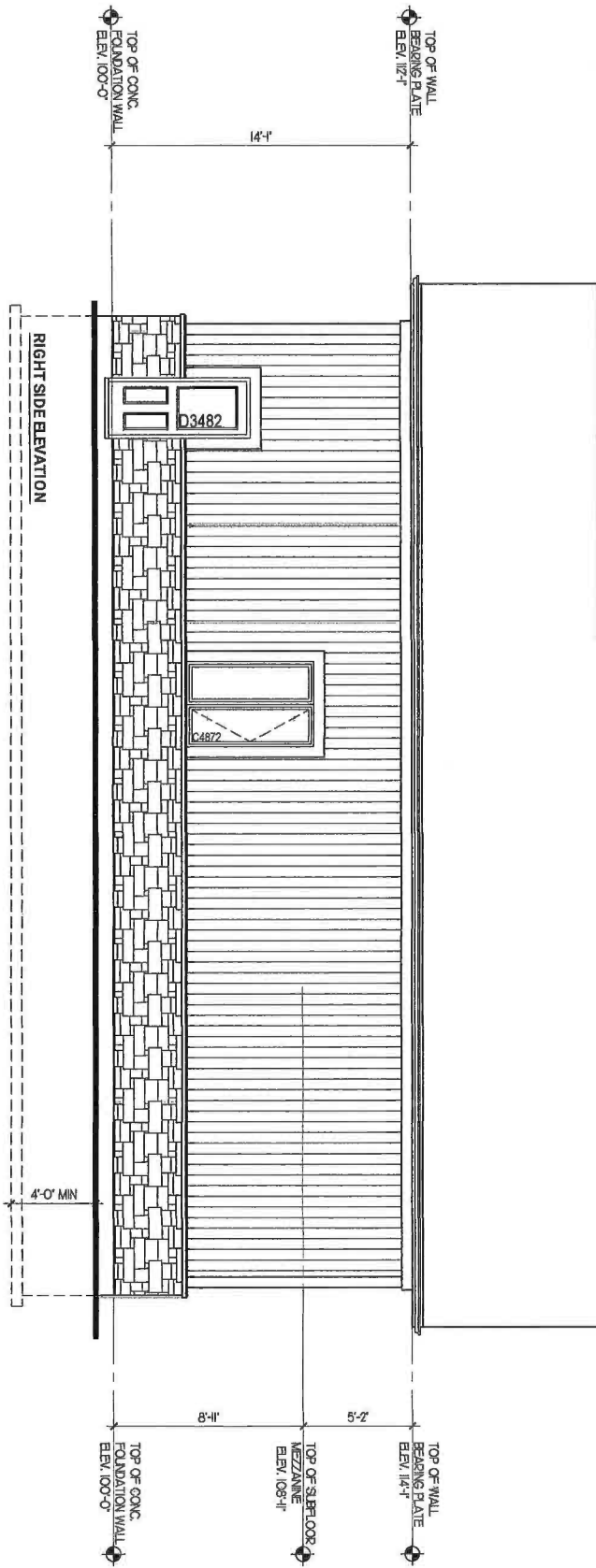


<p>1 OF 8</p>	<p>PROJECT <b>POPA RESIDENCE DETACHED GARAGE</b></p>	<p>STATUS: BUILDING PERMIT</p>	<p>I, <b>Carla Jickling</b>, review and take responsibility for the design work on behalf of our firm Orchard Design Studio (incorporated registered under Division C, Part 3 (3.2.4) of the Building Code, I am qualified, and the firm is registered, in the appropriate classes/categories. Firm BON: 28615 Individual BON: 32875</p>
	<p>TITLE <b>FRONT AND RIGHT SIDE ELEVATIONS</b></p>	<p>PLOTTED:</p> <p>SCALE: 3/16"=1'-0"</p> <p>DWN BY: CJCM</p> <p>DATE: FEBRUARY 2021</p> <p>REV.</p>	
<p>Signed: _____</p>		 <b>ORCHARD DESIGN STUDIO INC.</b> 519-620-0414	



2 OF 8

PROJECT  
**POPA RESIDENCE  
 DETACHED GARAGE**

TITLE  
**RIGHT SIDE ELEVATION**

STATUS: BUILDING PERMIT

PLOTTED:

SCALE: 3/16"=1'-0"

DWN BY: CJCM

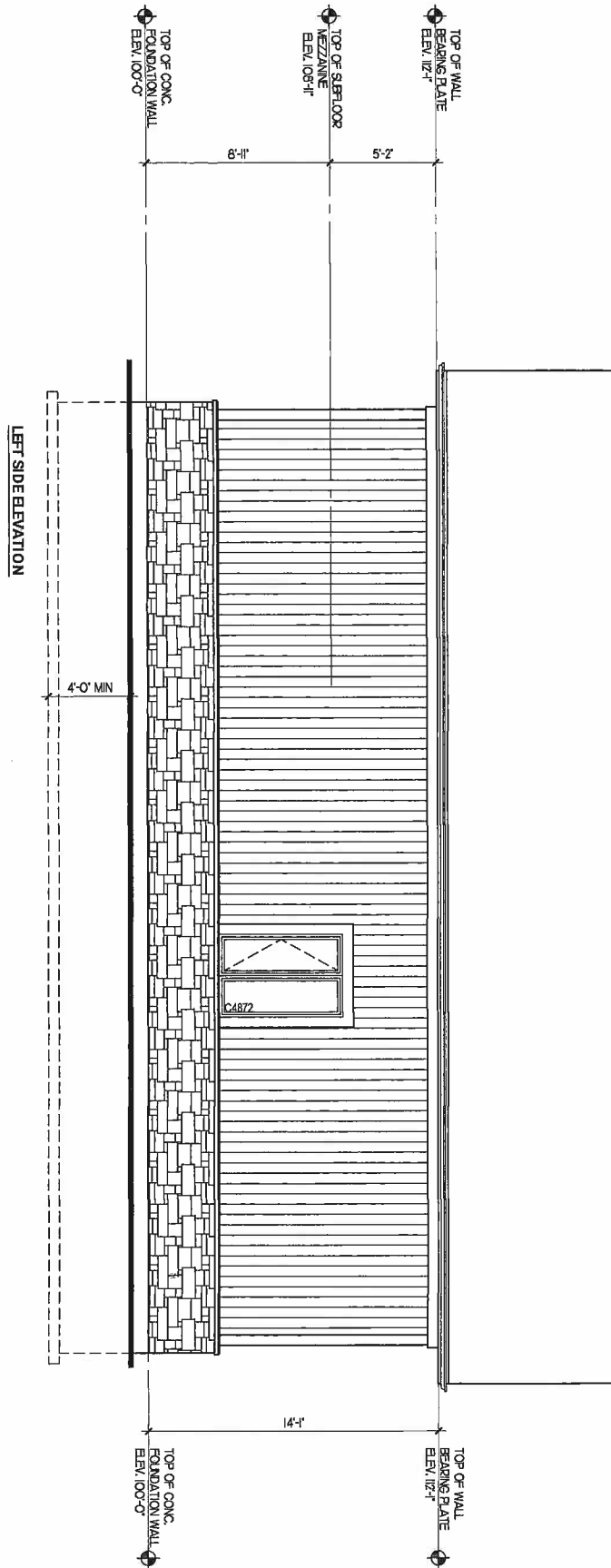
DATE: FEBRUARY 2021

REV.

I, **Darla McMillan**, review and take responsibility for the design work on behalf of our firm Orchard Design Studio Incorporated registered under Division C, Part 3 (3.2.4) of the Building Code. I am qualified, and the firm is registered, in the appropriate classes/categories. Firm BCN: 28615 Individual BCN: 33875

Signed: \_\_\_\_\_





<p>3 OF 8</p>	PROJECT	<p><b>POPA RESIDENCE DETACHED GARAGE</b></p>
	TITLE	<p><b>LEFT SIDE ELEVATION</b></p>

STATUS: BUILDING PERMIT
PLOTTED:
SCALE: 3/16"=1'-0"
DWN BY: C/JCM
DATE: FEBRUARY 2021
REV.

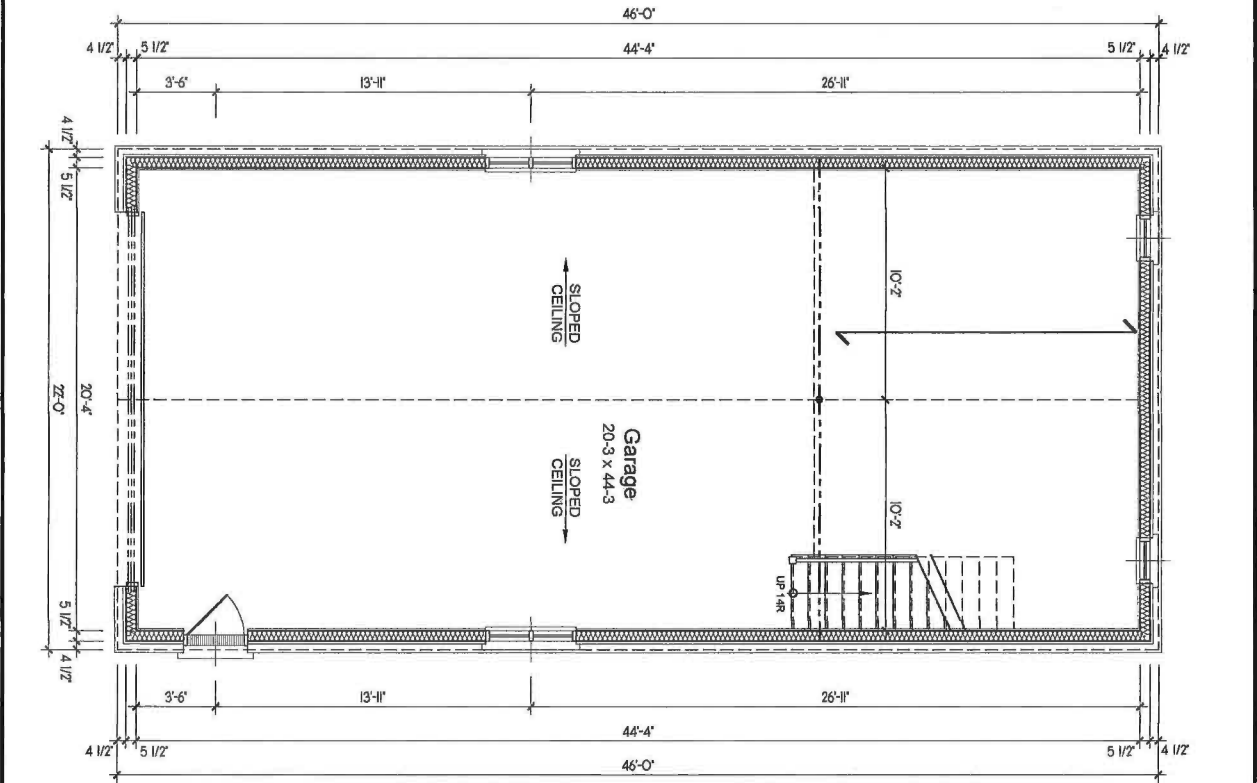
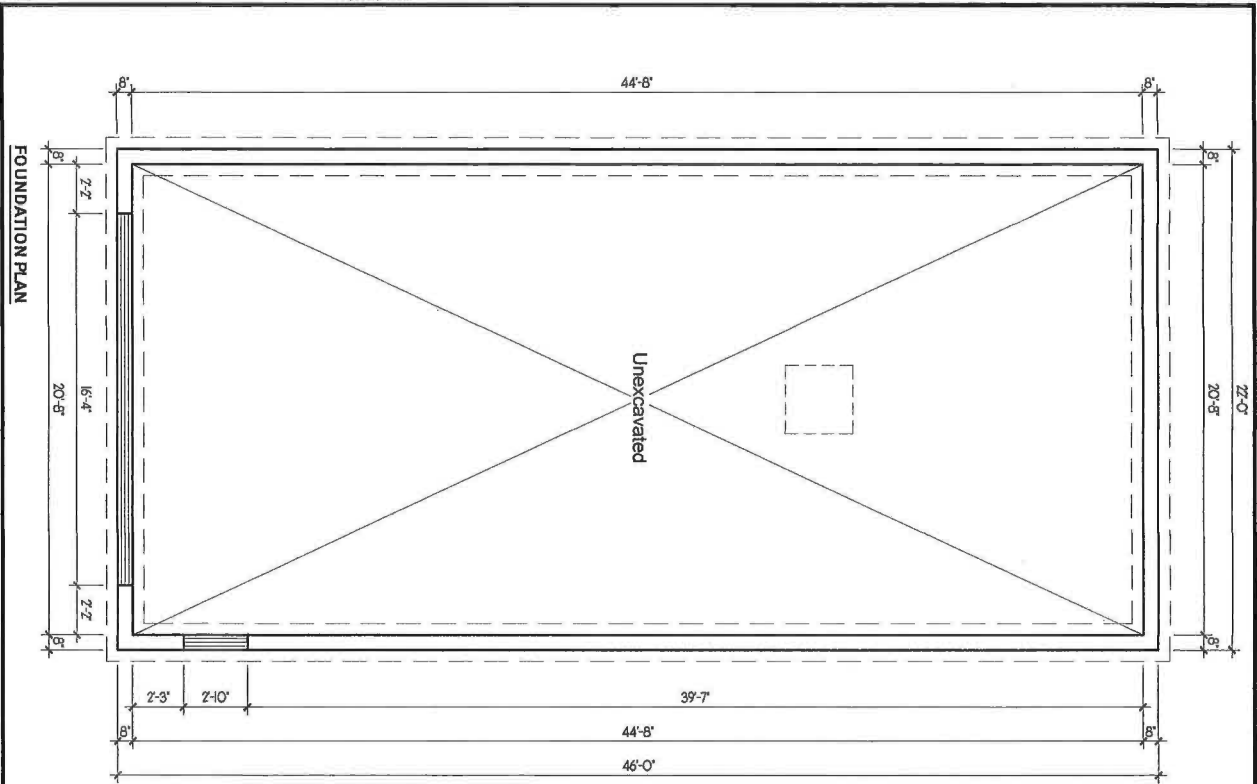
I, **Carla McMillan**, review and take responsibility for the design work on behalf of our firm Orchard Design Studio Incorporated, registered under Division C, Part 3 (3.2.4) of the Building Code. I am qualified, and the firm is registered, in the appropriate classes/categories.

Firm BCN: 28615  
Individual BCN: 32875

Signed: \_\_\_\_\_



**ORCHARD  
DESIGN STUDIO INC.**  
319-620-0414



PROJECT SHEET NO. **4** OF **8**

**POPA RESIDENCE  
DETACHED GARAGE**

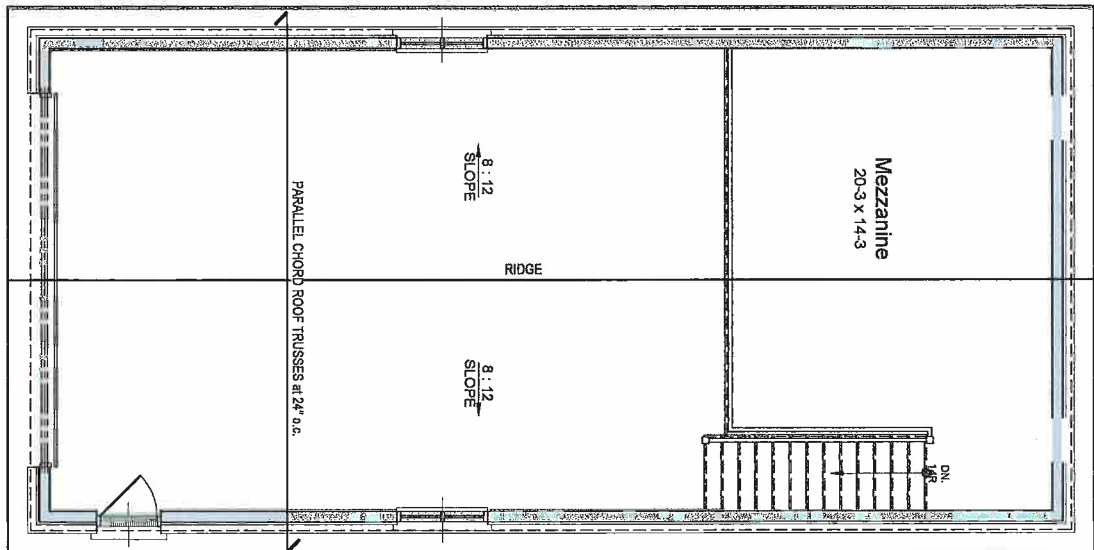
TITLE **FOUNDATION AND  
FLOOR PLAN**

STATUS: BUILDING PERMIT
PLOTTED:
SCALE: 3/16"=1'-0"
DWN BY: CJCM
DATE: FEBRUARY 2021
REV.

I, **Carrie McMillan**, review and take responsibility for the design work on behalf of our firm Orchard Design Studio Incorporated registered under Division C, Part 3 (3.2.4) of the Building Code. I am qualified, and the firm is registered, in the appropriate classes/categories.  
Firm BCIN: 28815  
Individual BCIN: 32875

Signed: \_\_\_\_\_





5 OF 8

PROJECT  
**POPA RESIDENCE  
DETACHED GARAGE**

TITLE  
**MEZZANINE AND  
ROOF FRAMING PLAN**

STATUS: BUILDING PERMIT

PLOTTED:

SCALE: 3/16"=1'-0"

DWN BY: CJCM

DATE: FEBRUARY 2021

REV.

Signed: \_\_\_\_\_

I, David McMillan review and take responsibility for the design work on behalf of our firm Orchard Design Studio Incorporated registered under Division C, Part 3 (3.2.4) of the Building Code. I am qualified, and the firm is registered, in the appropriate classes/categories.  
Firm BCIN: 28615  
Individual BCIN: 32875

